



SCHNELL SUCHE
YG-1 PRODUKTE!!
www.yg1.kr



YG WERKZEUGAUFNAHMEN

AUSWAHL UNSERER BESTEN

30%
SONDERRABATT

Auf alle Artikel in
diesem Katalog



YG YG-1 CO., LTD.

UNSERE BESTEN WERKZEUGAUFNAHMEN - INHALT

TYP	ARTIKEL	SEITE
HCP	HYDRODEHNSPANNFUTTER	03
HC	HYDRODEHNSPANNFUTTER KURZ und STARR	
HC	HYDRODEHNSPANNFUTTER SCHLANK	04
HCR	HYDRAULIK SPANNFUTTER HYDRODEHNSPANNFUTTER AXIAL EINSTELLBAR	05
HMC	HYDRAULIK SPANNFUTTER FÜR WERKZEUG und FORMENBAU	
HS	SPANNZANGE FÜR HYDRODEHNSPANNFUTTER ABGEDICHTET	06
HF	SPANNZANGE FÜR HYDRODEHNSPANNFUTTER MIT KÜHLMITTELAUSTRITT	
HK	SPANNZANGE FÜR HYDRODEHNSPANNFUTTER GESCHLITZT	07
HCS	HYDRODEHNSPANNFUTTER ALS SET	
SFH	SCHRUMPFUTTER	07 - 09
SFHS	SCHRUMPFUTTER SCHLANK	09 - 10
SFH	SCHRUMPFUTTER VERLÄNGERUNG	10
ER	ER SPANNZANGENFUTTER	10 - 12
UF	ER SPANNZANGE UF	13 - 14
RDC	SPANNZANGE FÜR GEWINDEBOHRER	14
GER	ER SPANNZANGE GER HOHE PRÄZISION RUNDLAUF ≤ 0.005	15
PART	ER SPANNZANGENMUTTER	
SP	ER SPANNZANGENSCHLÜSSEL	
EMH	FLÄCHENSPANNFUTTER FÜR ZYLINDERSCHAFTEN DIN1835-B (Weldon)	16 - 18
EMH	FLÄCHENSPANNFUTTER FÜR ZYLINDERSCHAFTEN MIT KÜHLKANAL	18
SLA	FLÄCHENSPANNFUTTER MIT AXIALER VERSTELLUNG	19
C	KRAFTSPANNFUTTER	
SP	SPANNSCHLÜSSEL FÜR KRAFTSPANNFUTTER	
K	SPANNZANGE FÜR KRAFTSPANNFUTTER	20
C	KRAFTSPANNFUTTER SET	
SMA	QUERNUTAUFSTECKFRÄSDORN	20 - 22
CMA	KOMBI-AUFSTECKFRÄSDORN	22
SYTER	SYNCHRO GEWINDESCHNEIDFUTTER (ER)	22 - 23
SYTC	SYNCHRO GEWINDESCHNEID-SCHNELLWECHSELFUTTER UND EINSÄTZE	23
TC	GEWINDSCHNEID-SCHNELLWECHSELFUTTER	23 - 24
TER	ER - GEWINDESCHNEIDFUTTER	24
NPU	NC - BOHRFUTTER	
TC	GEWINDESCHNEID-SCHNELLWECHSELFUTTER UND EINSÄTZE	
MTA	ZWISCHENHÜLSEN FÜR MK MIT AUSTREIBLAPPEN	25
PSB	ANZUGSBOLZEN	
CT	KÜHLMITTELÜBERGABEROHR	

HYDRODEHNSPANNFUTTER

HCP

JIS B6339/MAS 403-BT



Typ	Bezeichnung	EDP Nr.	Preis / €
30	BT30-HC20P-90 G2.5	P2776602P	185,22
40	BT40AD/B-HC12P-58 G2.5	P2776601P	191,85
	BT40AD/B-HC20P-72.5 G2.5	P2554001P	191,85
50	BT50AD/B-HC20P-83.5 G2.5	P2755010P	290,40
	BT50AD/B-HC32P-90 G2.5	P2558001P	291,66

HYDRODEHNSPANNFUTTER (KURZ)

HC

JIS B6339/MAS 403-BT



Typ	Bezeichnung	EDP Nr.	Preis / €
40	BT40AD/B-HC20S-72.5 G2.5	P2554001	171,75
50	BT50AD/B-HC20S-90 G2.5	P2755010	259,95

DIN 69893/ISO 12164-1-HSK FORM A



Typ	Bezeichnung	EDP Nr.	Preis / €
63A	HSK63A-HC12P-80 G2.5	P2770302P	269,31
	HSK63A-HC20P-80 G2.5	P2770301P	269,31
100A	HSK100A-HC20P-90 G2.5	P2770303P	350,10
	HSK100A-HC32P-100 G2.5	P2770304P	367,62

DIN 69893/ISO 12164-1-HSK FORM A



Typ	Bezeichnung	EDP Nr.	Preis / €
63A	HSK63A-HC20S-80 G2.5	P2770301	241,05

DIN 69871-SK



Typ	Bezeichnung	EDP Nr.	Preis / €
40	SK40AD/B-HC12P-50 G2.5	P2776651P	191,85
	SK40AD/B-HC20P-64.5 G2.5	P2534001P	191,85
50	SK50AD/B-HC20P-64.5 G2.5	P2756010P	290,40
	SK50AD/B-HC32P-81 G2.5	P2534002P	290,40

DIN 69871-SK



Typ	Bezeichnung	EDP Nr.	Preis / €
40	SK40AD/B-HC12S-50 G2.5	P2776651	171,72
	SK40AD/B-HC20S-64.5 G2.5	P2534001	171,75
50	SK50AD/B-HC20S-64.5 G2.5	P2756010	259,95

HYDRODEHNSPANNFUTTER SCHLANK HC

JIS B6339/MAS 403-BT



Typ	Bezeichnung	EDP Nr.	Preis / €
40	BT40AD/B-HC6-90 G2.5	P2554003	279,90
	BT40AD/B-HC8-90 G2.5	P2554021	279,90
	BT40AD/B-HC10-90 G2.5	P2554005	279,90
	BT40AD/B-HC12-90 G2.5	P2554002	279,90
	BT40AD/B-HC16-90 G2.5	P2554006	279,90
	BT40AD/B-HC20-90 G2.5	P2554007	279,90
	BT40AD/B-HC25-100 G2.5	P2770641	299,10

DIN 69893/ISO 12164-1-HSK FORM A & F



Typ	Bezeichnung	EDP Nr.	Preis / €
63A	HSK63A-HC12-85 G2.5	P2567004	341,64
	HSK63A-HC16-90 G2.5	P2567006	341,64
	HSK63A-HC20-90 G2.5	P2567008	341,64
63F	HSK63F-HC20-85 G2.5	P2770461	341,64
100A	HSK100A-HC20-105 G2.5	P2757010	443,31
	HSK100A-HC32-110 G2.5	P2757020	503,10

HYDRODEHNSPANNFUTTER SCHLANK HC

DIN 69871-SK



Typ	Bezeichnung	EDP Nr.	Preis / €	
40	SK40AD/B-HC6-80.5 G2.5	P2554017	279,90	
	SK40AD/B-HC6-110 G2.5	P2554016	309,54	
	SK40AD/B-HC8-80.5 G2.5	P2554025	279,90	
	SK40AD/B-HC10-80.5 G2.5	P2554004	279,90	
	SK40AD/B-HC10-110 G2.5	P2554009	309,54	
	SK40AD/B-HC12-80.5 G2.5	P2554011	279,90	
	SK40AD/B-HC12-110 G2.5	P2554010	309,54	
	SK40AD/B-HC16-80.5 G2.5	P2554013	279,90	
	SK40AD/B-HC16-110 G2.5	P2554012	309,54	
	SK40AD/B-HC20-80.5 G2.5	P2554015	279,90	
	SK40AD/B-HC20-110 G2.5	P2554014	309,54	
	SK40AD/B-HC25-80.5 G2.5	P2770103	291,51	
	50	SK50AD/B-HC10-80.5 G2.5	P2770106	377,19
		SK50AD/B-HC12-80.5 G2.5	P2770118	368,28
SK50AD/B-HC16-80.5 G2.5		P2770108	368,28	
SK50AD/B-HC20-80.5 G2.5		P2770119	368,28	

HYDRAULIK SPANNFUTTER HYDRODEHN AXIAL EINSTELLBAR

HCR

JIS B6339/MAS 403-BT



Typ	Bezeichnung	EDP Nr.	Preis / €
40	BT40AD/B-HCR20-90 G2.5	P2554008	385,35

HYDRAULIK SPANNFUTTER FÜR DEN WERKZEUG+FORMENBAU

HMC

DIN 69893/ISO 12164-1-HSK FORM A



Typ	Bezeichnung	EDP Nr.	Preis / €
63A	HSK63A-HMC12-145 G2.5	P2770804	556,08
	HSK63A-HMC20-145 G2.5	P2770806	556,08

DIN 69893/ISO 12164-1-HSK FORM A



Typ	Bezeichnung	EDP Nr.	Preis / €
63A	HSK63A-HCR12-90 G2.5	P2567011	412,23
	HSK63A-HCR20-100 G2.5	P2567012	412,23
	HSK63A-HCR6-80 G2.5	P2770205	412,23

DIN 69871-SK



Typ	Bezeichnung	EDP Nr.	Preis / €
40	SK40AD/B-HMC12-120 G2.5	P2770707	366,54
	SK40AD/B-HMC12-150 G2.5	P2770708	403,83
	SK40AD/B-HMC20-120 G2.5	P2770711	366,54
	SK40AD/B-HMC20-150 G2.5	P2770712	403,83

DIN 69871-SK



Typ	Bezeichnung	EDP Nr.	Preis / €
40	SK40AD/B-HCR12-80.5 G2.5	P2554018	385,35
	SK40AD/B-HCR20-80.5 G2.5	P2554019	385,35

SPANNZANGE ABGEDICHTET
HS


Bezeichnung	EDP Nr.	Preis / €
HS12-3	P2771101	98,19
HS12-4	P2771102	98,19
HS12-6	P2771104	98,19
HS12-8	P2771106	98,19
HS20-10	P2771114	88,17
HS20-11	P2771115	85,02
HS20-12	P2771116	85,02
HS20-13	P2771117	85,02
HS20-3	P2771107	95,07
HS20-4	P2771108	95,07
HS20-5	P2771109	95,07
HS20-6	P2771110	88,17
HS20-7	P2771111	88,17
HS20-8	P2771112	88,17
HS20-9	P2771113	88,17
HS20-14	P2771118	85,02
HS20-15	P2771119	85,02
HS20-16	P2771120	85,02
HS20-17	P2771130	85,02
HS32-6	P2771121	91,92
HS32-8	P2771122	91,92
HS32-10	P2771123	90,21
HS32-12	P2771124	90,21
HS32-14	P2771125	90,21
HS32-16	P2771126	90,21
HS32-18	P2771127	90,21
HS32-20	P2771128	90,21
HS32-25	P2771129	90,21

**SPANNZANGE MIT
KÜHLMITTELAUSTRITT**
HF


Bezeichnung	EDP Nr.	Preis / €
HF12-3	P2771201	146,79
HF12-4	P2771202	146,79
HF12-5	P2771203	146,79
HF12-6	P2771204	146,79
HF12-7	P2771205	146,79
HF12-8	P2771206	146,79
HF20-3	P2771207	147,33
HF20-4	P2771208	147,33
HF20-5	P2771209	147,33
HF20-6	P2771210	136,62
HF20-7	P2771211	136,62
HF20-8	P2771212	136,62
HF20-9	P2771213	136,62
HF20-10	P2771214	136,62
HF20-11	P2771215	131,82
HF20-12	P2771216	131,82
HF20-13	P2771217	131,82
HF20-14	P2771218	131,82
HF20-15	P2771219	131,82
HF20-16	P2771220	131,82
HF32-6	P2771221	142,50
HF32-8	P2771222	142,50
HF32-10	P2771223	139,80
HF32-12	P2771224	139,80
HF32-14	P2771225	139,80
HF32-16	P2771226	139,80
HF32-18	P2771227	139,80
HF32-20	P2771228	139,80
HF32-25	P2771229	139,80

SPANNZANGE GESCHLITZT

HK



Bezeichnung	EDP Nr.	Preis / €
HK12-3	P2569022	89,25
HK12-4	P2569023	89,25
HK12-5	P2569024	89,25
HK12-6	P2569025	89,25
HK12-8	P2569026	89,25
HK20-3	P2569001	86,43
HK20-4	P2569002	86,43
HK20-5	P2569003	86,43
HK20-6	P2569004	80,16
HK20-8	P2569005	80,16
HK20-10	P2569006	80,16
HK20-12	P2569007	77,31
HK20-13	P2771005	77,31
HK20-14	P2569008	77,31
HK20-16	P2569009	77,31
HK32-6	P2569010	83,58
HK32-8	P2569011	83,58
HK32-10	P2569012	81,99
HK32-12	P2569013	81,99
HK32-14	P2569014	81,99
HK32-16	P2569015	81,99
HK32-18	P2569016	81,99
HK32-20	P2569017	81,99
HK32-25	P2569018	81,99

HYDRODEHNSPANNFUTTER SET

HCS



Bezeichnung	EDP Nr.	Preis / €
HCSB40-20	P2770972	646,86
HCSH40-20	P2770973	723,12
HCSS40-20	P2770971	646,86

SCHRUMPFUTTER

SFH

JIS B6339/MAS 403-BT



Typ	Bezeichnung	EDP Nr.	Preis / €
40	BT40AD/B-SFH10-160 G2.5	P2771606	195,31
	BT40AD/B-SFH10-90 G2.5	P2771605	135,41
	BT40AD/B-SFH12-160 G2.5	P2771608	195,31
	BT40AD/B-SFH12-90 G2.5	P2771607	135,41
	BT40AD/B-SFH14-160 G2.5	P2771612	195,31
	BT40AD/B-SFH14-90 G2.5	P2771611	135,41
	BT40AD/B-SFH16-160 G2.5	P2771610	195,31
	BT40AD/B-SFH16-90 G2.5	P2771609	135,41
	BT40AD/B-SFH18-90 G2.5	P2771613	135,41
	BT40AD/B-SFH20-160 G2.5	P2771616	195,31
	BT40AD/B-SFH20-90 G2.5	P2771615	135,41
	BT40AD/B-SFH25-100 G2.5	P2771617	137,78
	BT40AD/B-SFH25-160 G2.5	P2771618	195,31
	BT40AD/B-SFH3-90 G2.5	P2776712	153,03
	BT40AD/B-SFH4-90 G2.5	P2776713	153,03
	BT40AD/B-SFH5-90 G2.5	P2776714	145,45
	BT40AD/B-SFH6-160 G2.5	P2771602	195,31
	BT40AD/B-SFH6-90 G2.5	P2771601	135,41
	BT40AD/B-SFH8-160 G2.5	P2771604	195,31
	BT40AD/B-SFH8-90 G2.5	P2771603	135,41

► NEXT PAGE

SCHRUMPFUTTER
SFH
JIS B6339/MAS 403-BT


Typ	Bezeichnung	EDP Nr.	Preis / €
50	BT50AD/B-SFH10-100 G2.5	P2771626	217,55
	BT50AD/B-SFH10-160 G2.5	P2771627	270,24
	BT50AD/B-SFH12-100 G2.5	P2771628	217,55
	BT50AD/B-SFH12-160 G2.5	P2771629	270,24
	BT50AD/B-SFH16-100 G2.5	P2771632	217,55
	BT50AD/B-SFH16-160 G2.5	P2771633	270,24
	BT50AD/B-SFH4-100 G2.5	P2771620	248,95
	BT50AD/B-SFH6-100 G2.5	P2771622	217,55
	BT50AD/B-SFH6-160 G2.5	P2771623	270,24
	BT50AD/B-SFH8-100 G2.5	P2771624	217,55
	BT50AD/B-SFH8-160 G2.5	P2771625	270,24

► Ohne Ausgleichsschraube

CBT (BT DUAL CONTACT)


Typ	Bezeichnung	EDP Nr.	Preis / €
30	CBT30-SFH10-80 G2.5	P2771510	175,65
	CBT30-SFH12-80 G2.5	P2771511	175,65
	CBT30-SFH6-80	P2771561	175,65

► Ohne Ausgleichsschraube

SCHRUMPFUTTER
SFH
DIN 69893/ISO 12164-1-HSK FORM A


Typ	Bezeichnung	EDP Nr.	Preis / €	
100A	HSK100A-SFH10-90 G2.5	P2777303	237,60	
	HSK100A-SFH12-160 G2.5	P2771475	328,93	
	HSK100A-SFH12-95 G2.5	P2777304	237,60	
	HSK100A-SFH16-100 G2.5	P2771478	237,60	
	HSK100A-SFH16-160 G2.5	P2771479	328,93	
	HSK100A-SFH20-100 G2.5	P2771482	243,57	
	HSK100A-SFH20-160 G2.5	P2771483	328,93	
	HSK100A-SFH25-115 G2.5	P2771484	243,57	
	HSK100A-SFH25-160 G2.5	P2771485	328,93	
	HSK100A-SFH4-85 G2.5	P2771470	297,86	
	HSK100A-SFH6-160 G2.5	P2771472	328,93	
	HSK100A-SFH6-85 G2.5	P2777301	237,60	
	HSK100A-SFH8-160 G2.5	P2771473	328,93	
	HSK100A-SFH8-85 G2.5	P2777302	237,60	
	63A	HSK63A-SFH10-120	P2565051	141,99
		HSK63A-SFH10-160 G2.5	P2771406	214,04
		HSK63A-SFH10-85 G2.5	P2565052	143,26
		HSK63A-SFH12-120	P2771486	141,99
		HSK63A-SFH12-160 G2.5	P2771407	214,04
		HSK63A-SFH12-90 G2.5	P2600003	143,26
HSK63A-SFH16-160 G2.5		P2565053	214,04	
HSK63A-SFH16-95 G2.5		P2565054	143,26	
HSK63A-SFH20-100 G2.5		P2600005	143,26	
HSK63A-SFH20-160 G2.5		P2565055	214,04	
HSK63A-SFH25-115 G2.5		P2771458	152,15	
HSK63A-SFH25-160 G2.5		P2771459	214,04	
HSK63A-SFH3-80 G2.5		P2771401	165,66	
HSK63A-SFH4-80 G2.5		P2771402	165,66	
HSK63A-SFH6-120		P2565056	141,99	
HSK63A-SFH6-160 G2.5		P2771404	214,04	
HSK63A-SFH6-80 G2.5		P2565057	143,26	
HSK63A-SFH8-160 G2.5		P2771405	214,04	
HSK63A-SFH8-80 G2.5		P2600007	143,26	

► Ohne Ausgleichsschraube

SCHRUMPFUTTER

SFH

DIN 69871-SK



Typ	Bezeichnung	EDP Nr.	Preis / €
40	SK40AD/B-SFH10-120	P2554051	134,22
	SK40AD/B-SFH10-160 G2.5	P2771306	195,31
	SK40AD/B-SFH10-80 G2.5	P2554052	135,41
	SK40AD/B-SFH12-160 G2.5	P2771307	195,31
	SK40AD/B-SFH12-80 G2.5	P2600008	135,41
	SK40AD/B-SFH16-160 G2.5	P2554053	195,31
	SK40AD/B-SFH16-80 G2.5	P2554054	135,41
	SK40AD/B-SFH18-80 G2.5	P2771321	135,41
	SK40AD/B-SFH20-160 G2.5	P2554055	195,31
	SK40AD/B-SFH20-80 G2.5	P2554056	135,41
	SK40AD/B-SFH25-160 G2.5	P2771324	195,31
	SK40AD/B-SFH25-90 G2.5	P2771323	137,78
	SK40AD/B-SFH3-80 G2.5	P2771301	153,03
	SK40AD/B-SFH4-80 G2.5	P2771302	153,03
	SK40AD/B-SFH5-80 G2.5	P2771303	145,45
	SK40AD/B-SFH6-120	P2554057	134,22
	SK40AD/B-SFH6-160 G2.5	P2771304	195,31
	SK40AD/B-SFH6-80 G2.5	P2554058	135,41
	SK40AD/B-SFH8-160 G2.5	P2771305	195,31
	SK40AD/B-SFH8-80 G2.5	P2600009	135,41
50	SK50AD/B-SFH10-160 G2.5	P2761015	270,24
	SK50AD/B-SFH10-80 G2.5	P2761010	212,64
	SK50AD/B-SFH12-160 G2.5	P2762015	270,24
	SK50AD/B-SFH12-80 G2.5	P2762010	212,64
	SK50AD/B-SFH16-160 G2.5	P2764015	270,24
	SK50AD/B-SFH16-80 G2.5	P2764010	212,64
	SK50AD/B-SFH20-160 G2.5	P2766015	270,24
	SK50AD/B-SFH20-80 G2.5	P2766010	212,64
	SK50AD/B-SFH25-160 G2.5	P2771331	270,24
	SK50AD/B-SFH25-90 G2.5	P2771330	212,64
	SK50AD/B-SFH3-80 G2.5	P2771325	261,95
	SK50AD/B-SFH4-80 G2.5	P2771326	248,95
	SK50AD/B-SFH5-80 G2.5	P2771327	236,48
	SK50AD/B-SFH6-160 G2.5	P2771329	270,24
	SK50AD/B-SFH6-80 G2.5	P2771328	212,64
	SK50AD/B-SFH8-160 G2.5	P2760015	270,24
	SK50AD/B-SFH8-80 G2.5	P2760010	212,64

▶ Ohne Ausgleichsschraube

SCHRUMPFUTTER SCHLANK

SFHS

DIN 69871-SK

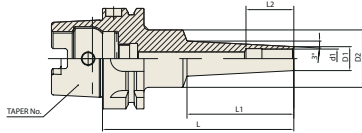


Typ	Bezeichnung	EDP Nr.	Preis / €
40	SK40AD/B-SFHS10-120 G2.5	P2771347S	232,50
	SK40AD/B-SFHS10-95 G2.5	P2771346S	174,12
	SK40AD/B-SFHS12-120 G2.5	P2771349S	232,50
	SK40AD/B-SFHS12-95 G2.5	P2771348S	174,12
	SK40AD/B-SFHS3-120 G2.5	P2771339S	245,94
	SK40AD/B-SFHS3-95 G2.5	P2771338S	196,74
	SK40AD/B-SFHS4-120 G2.5	P2771341S	245,94
	SK40AD/B-SFHS4-95 G2.5	P2771340S	196,74
	SK40AD/B-SFHS6-95 G2.5	P2771342S	174,12
	SK40AD/B-SFHS8-95 G2.5	P2771344S	174,12

JIS B6339/MAS 403-BT & CBT



Typ	Bezeichnung	EDP Nr.	Preis / €
40	BT40AD/B-SFHS10-120 G2.5	P2779873S	201,54
	BT40AD/B-SFHS10-95 G2.5	P2779872S	161,22
	BT40AD/B-SFHS12-120 G2.5	P2779876S	201,54
	BT40AD/B-SFHS12-95 G2.5	P2779875S	161,22
	BT40AD/B-SFHS3-120 G2.5	P2779861S	227,73
	BT40AD/B-SFHS3-95 G2.5	P2779860S	182,19
	BT40AD/B-SFHS4-120 G2.5	P2779864S	227,73
	BT40AD/B-SFHS4-95 G2.5	P2779863S	182,19
	BT40AD/B-SFHS6-120 G2.5	P2779867S	201,54
	BT40AD/B-SFHS6-160 G2.5	P2779868S	225,72
	BT40AD/B-SFHS6-95 G2.5	P2779866S	161,22
	BT40AD/B-SFHS8-120 G2.5	P2779870S	201,54
	BT40AD/B-SFHS8-160 G2.5	P2779871S	225,72
	BT40AD/B-SFHS8-95 G2.5	P2779869S	161,22

SCHRUMPFUTTER EXTRA SLIM
SFHS
DIN 69893/ISO 12164-1-HSK FORM A


Typ	Bezeichnung	EDP Nr.	Preis / €
63A	HSK63A-SFHS10-160 G2.5	P2779826S	231,51
	HSK63A-SFHS10-95 G2.5	P2779825S	178,08
	HSK63A-SFHS12-160 G2.5	P2779828S	231,51
	HSK63A-SFHS12-95 G2.5	P2779827S	178,08
	HSK63A-SFHS4-120 G2.5	P2779820S	257,43
	HSK63A-SFHS4-95 G2.5	P2779819S	205,95
	HSK63A-SFHS6-120 G2.5	P2779822S	222,60
	HSK63A-SFHS6-95 G2.5	P2779821S	178,08
	HSK63A-SFHS8-160 G2.5	P2779824S	231,51
	HSK63A-SFHS8-95 G2.5	P2779823S	178,08

SCHRUMPFUTTER VERLÄNGERUNG
SFH
STANDARD


Typ	Bezeichnung	EDP Nr.	Preis / €
12	ST12-SFH6-160	P2767030	112,69
20	ST20-SFH10-160	P2767230	135,03
	ST20-SFH12-160	P2767235	135,03
	ST20-SFH3-160	P2767210	147,77
	ST20-SFH4-160	P2767215	147,77
	ST20-SFH5-160	P2771708	147,77
	ST20-SFH6-160	P2767220	135,03
	ST20-SFH8-160	P2767225	135,03

ER FRÄSERSPANNFUTTER
ER
JIS B6339/MAS 403-BT


Typ	Bezeichnung	EDP Nr.	Preis / €
40	BT40AD/B-ER16-75 G2.5	P2776504	69,81
	BT40AD/B-ER16-100 G2.5	P2553021	80,97
	BT40AD/B-ER16-120 G2.5	P2776515	83,31
	BT40AD/B-ER20-75 G2.5	P2776516	69,81
	BT40AD/B-ER20-100 G2.5	P2553017	80,97
	BT40AD/B-ER25-75 G2.5	P2600012	69,81
	BT40AD/B-ER25-100 G2.5	P2553018	80,97
	BT40AD/B-ER25-150 G2.5	P2776519	100,59
	BT40AD/B-ER32-60 G2.5	P2553501	72,57
	BT40AD/B-ER32-100 G2.5	P2776505	86,76

JIS B6339/MAS 403-BT


Typ	Bezeichnung	EDP Nr.	Preis / €
40	BT40-ER11-75 G6.3	P2772116	52,47
	BT40-ER16-100 G6.3	P2772118	60,87
	BT40-ER16-120 G6.3	P2772119	62,64
	BT40-ER16-75 G6.3	P2772101	52,47
	BT40-ER20-100 G6.3	P2772120	60,87
	BT40-ER20-75 G6.3	P2772102	52,47
	BT40-ER25-100 G6.3	P2772122	60,87
	BT40-ER25-135 G6.3	P2772123	62,64
	BT40-ER25-150 G6.3	P2772124	75,63
	BT40-ER25-75 G6.3	P2772103	52,47
	BT40-ER32-100 G6.3	P2772125	65,25
	BT40-ER32-120 G6.3	P2772105	70,80
	BT40-ER32-150 G6.3	P2772126	84,51
	BT40-ER32-60 G6.3	P2772104	54,57
	BT40-ER40-80 G6.3	P2772127	58,77

ER FRÄSERSPANNFUTTER

ER

JIS B6339/MAS 403-BT



Typ	Bezeichnung	EDP Nr.	Preis / €
50	BT50AD/B-ER16-100 G2.5	P2776522	132,81
	BT50AD/B-ER20-100 G2.5	P2776525	132,81
	BT50AD/B-ER25-100 G2.5	P2776528	132,81
	BT50AD/B-ER32-100 G2.5	P2600026	136,53

JIS B6339/MAS 403-BT



Typ	Bezeichnung	EDP Nr.	Preis / €
50	BT50-ER16-100 G6.3	P2772128	108,00
	BT50-ER16-165 G6.3	P2772130	121,74
	BT50-ER20-135 G6.3	P2772132	110,10
	BT50-ER25-100 G6.3	P2772134	108,00
	BT50-ER25-165 G6.3	P2772136	121,74
	BT50-ER32-100 G6.3	P2772137	111,00
	BT50-ER32-165 G6.3	P2772139	125,16
	BT50-ER40-100 G6.3	P2772140	113,76
	BT50-ER40-150 G6.3	P2772141	127,20

CBT (BT DUAL CONTACT)



Typ	Bezeichnung	EDP Nr.	Preis / €
40	CBT40-ER25-100 G2.5	P2772002	111,84
	CBT40-ER25-75 G2.5	P2772011	96,42
	CBT40-ER32-100 G2.5	P2772003	119,85

ER FRÄSERSPANNFUTTER

ER

DIN 69893/ISO 12164-1-HSK FORM A



Typ	Bezeichnung	EDP Nr.	Preis / €
50A	HSK50A-ER32-100 G2.5	P2774941	140,34
63A	HSK63A-ER16-100 G2.5	P2774901	137,55
	HSK63A-ER20-100 G2.5	P2774942	137,55
	HSK63A-ER25-100 G2.5	P2774902	137,55
	HSK63A-ER32-100 G2.5	P2774903	142,68
100A	HSK63A-ER40-120 G2.5	P2774904	155,70
	HSK100A-ER16-100 G2.5	P2774905	168,27
	HSK100A-ER20-100 G2.5	P2774946	168,27
	HSK100A-ER25-100 G2.5	P2774906	168,27
	HSK100A-ER32-100 G2.5	P2774907	174,69
	HSK100A-ER40-120 G2.5	P2774947	186,93
	HSK100A-ER20-100 G2.5	P2774946	168,27
	HSK100A-ER25-100 G2.5	P2774906	168,27
	HSK100A-ER32-100 G2.5	P2774907	174,69
	HSK100A-ER40-120 G2.5	P2774947	186,93

DIN 69893/ISO 12164-1-HSK FORM A



Typ	Bezeichnung	EDP Nr.	Preis / €
63A	HSK63A-ER16-100 G6.3	P2564001	111,81
	HSK63A-ER25-100 G6.3	P2564002	111,81
	HSK63A-ER32-100 G6.3	P2564003	116,01
	HSK63A-ER40-120 G6.3	P2564004	126,57

ER FRÄSERSPANNFUTTER
ER
DIN 69871-SK


Typ	Bezeichnung	EDP Nr.	Preis / €
40	SK40AD/B-ER11-70 G2.5	P2774812	69,81
	SK40AD/B-ER16-70 G2.5	P2774801	69,81
	SK40AD/B-ER20-70 G2.5	P2774813	69,81
	SK40AD/B-ER25-70 G2.5	P2774802	69,81
	SK40AD/B-ER32-70 G2.5	P2774803	72,57
	SK40AD/B-ER40-80 G2.5	P2774814	78,15
	SK40AD/B-ER11-100 G2.5	P2774826	77,12
	SK40AD/B-ER16-100 G2.5	P2774804	80,97
	SK40AD/B-ER20-100 G2.5	P2774820	80,97
	SK40AD/B-ER25-100 G2.5	P2774805	80,97
	SK40AD/B-ER32-100 G2.5	P2774806	86,76
	SK40AD/B-ER16-160 G2.5	P2774828	101,22
50	SK50AD/B-ER16-70 G2.5	P2774815	107,04
	SK50AD/B-ER20-70 G2.5	P2774816	107,04
	SK50AD/B-ER25-70 G2.5	P2774817	107,04
	SK50AD/B-ER32-70 G2.5	P2774818	110,25
	SK50AD/B-ER40-80 G2.5	P2774819	119,91
	SK50AD/B-ER20-100 G2.5	P2774822	118,05
	SK50AD/B-ER25-100 G2.5	P2774823	118,05
	SK50AD/B-ER32-100 G2.5	P2774824	121,38

ER FRÄSERSPANNFUTTER
ER
DIN 69871-SK


Typ	Bezeichnung	EDP Nr.	Preis / €	
40	SK40AD/B-ER16-70 G6.3	P2537033	57,03	
	SK40AD/B-ER20-70 G6.3	P2537034	57,03	
	SK40AD/B-ER25-70 G6.3	P2537009	57,03	
	SK40AD/B-ER32-70 G6.3	P2537032	59,31	
	SK40AD/B-ER40-80 G6.3	P2537011	63,87	
	SK40AD/B-ER16-100 G6.3	P2537017	66,15	
	SK40AD/B-ER20-100 G6.3	P2537018	66,15	
	SK40AD/B-ER25-100 G6.3	P2537019	66,15	
	SK40AD/B-ER32-100 G6.3	P2537020	70,89	
	50	SK50AD/B-ER25-70 G6.3	P2600030	107,04
		SK50AD/B-ER32-70 G6.3	P2537035	110,25
		SK50AD/B-ER25-100 G6.3	P2537023	118,05
	SK50AD/B-ER32-100 G6.3	P2537024	121,38	

DIN 228-MTB


Typ	Bezeichnung	EDP Nr.	Preis / €
3	MTB3-ER25	P2772257	83,67

NC für CNC DREHBANI


Typ	Bezeichnung	EDP Nr.	Preis / €
32	NC32-ER32	P2772305	75,09

ER SPANNZANGE UF

UF



Bezeichnung	EDP Nr.	Preis / €
ER11-1.0	P2506311	18,09
ER11-1.5	P2506312	18,09
ER11-2.0	P2506313	15,12
ER11-2.5	P2506314	15,12
ER11-3.0	P2506315	12,99
ER11-3.5	P2506316	12,99
ER11-4.0	P2506317	12,99
ER11-4.5	P2506318	12,99
ER11-5.0	P2506319	12,99
ER11-5.5	P2506320	12,99
ER11-6.0	P2506321	12,99
ER11-6.5	P2506322	12,99
ER11-7.0	P2506323	12,99
ER16-1.0	P2506201	16,47
ER16-1.5	P2778506	17,61
ER16-2.0	P2506202	13,68
ER16-3.0	P2506203	13,05
ER16-4.0	P2506204	13,05
ER16-5.0	P2506205	13,05
ER16-6.0	P2506206	13,05
ER16-7.0	P2506207	13,05
ER16-8.0	P2506208	13,05
ER16-9.0	P2506209	13,05
ER16-10.0	P2506210	13,05
ER20-1.0	P2506344	16,17
ER20-1.5	P2506345	16,17
ER20-2.0	P2506332	15,12
ER20-2.5	P2506346	16,17
ER20-3.0	P2506333	13,71
ER20-4.0	P2506334	13,71
ER20-5.0	P2506335	13,71
ER20-6.0	P2506336	13,71
ER20-7.0	P2506337	13,71
ER20-8.0	P2506338	13,71
ER20-9.0	P2506339	13,71
ER20-10.0	P2506340	13,71
ER20-11.0	P2506341	13,71
ER20-12.0	P2506342	13,71

ER SPANNZANGE UF

UF



Bezeichnung	EDP Nr.	Preis / €
ER20-13.0	P2506343	13,71
ER25-1.0	P2506227	18,69
ER25-1.5	P2506228	18,69
ER25-2.0	P2506212	15,57
ER25-2.5	P2506229	18,69
ER25-3.0	P2506213	14,43
ER25-4.0	P2506214	14,43
ER25-5.0	P2506215	14,43
ER25-6.0	P2506216	14,43
ER25-7.0	P2506217	14,43
ER25-8.0	P2506218	14,43
ER25-9.0	P2506219	14,43
ER25-10.0	P2506220	14,43
ER25-11.0	P2506221	14,43
ER25-12.0	P2506222	14,43
ER25-13.0	P2506223	14,43
ER25-14.0	P2506224	14,43
ER25-15.0	P2506225	14,43
ER25-16.0	P2506226	14,43
ER32-2.0	P2506251	16,38
ER32-2.5	P2506252	16,38
ER32-3.0	P2506233	15,36
ER32-4.0	P2506234	15,36
ER32-5.0	P2506235	15,36
ER32-6.0	P2506236	15,36
ER32-7.0	P2506237	15,36
ER32-8.0	P2506238	15,36
ER32-9.0	P2506239	15,36
ER32-10.0	P2506240	15,36
ER32-11.0	P2506241	15,36
ER32-12.0	P2506242	15,36
ER32-13.0	P2506243	15,36
ER32-14.0	P2506244	15,36
ER32-15.0	P2506245	15,36
ER32-16.0	P2506246	15,36
ER32-17.0	P2506247	15,36
ER32-18.0	P2506248	15,36
ER32-19.0	P2506249	15,36

► NÄCHSTE SEITE

ER SPANNZANGE UF
UF

TAP ER SPANNZANGE DIN
RDTC
DIN Spannzange für ER Gewindeschneiden


Bezeichnung	EDP Nr.	Preis / €
ER32-20.0	P2506250	15,36
ER40-3.0	P2506287	20,25
ER40-4.0	P2506264	18,96
ER40-5.0	P2506265	17,22
ER40-6.0	P2506266	17,22
ER40-7.0	P2506267	17,22
ER40-8.0	P2506268	17,22
ER40-9.0	P2506269	17,22
ER40-10.0	P2506270	17,22
ER40-11.0	P2506271	17,22
ER40-12.0	P2506272	17,22
ER40-13.0	P2506273	17,22
ER40-14.0	P2506274	17,22
ER40-15.0	P2506275	17,22
ER40-16.0	P2506276	17,22
ER40-17.0	P2506277	17,22
ER40-18.0	P2506278	17,22
ER40-19.0	P2506279	17,22
ER40-20.0	P2506280	17,22
ER40-21.0	P2506281	17,22
ER40-22.0	P2506282	17,22
ER40-23.0	P2506283	17,22
ER40-24.0	P2506284	17,22
ER40-25.0	P2506285	17,22
ER40-26.0	P2506286	17,22
ER40-27.0	P2506288	18,45
ER40-28.0	P2506289	18,45
ER40-29.0	P2506290	18,45
ER40-30.0	P2506291	18,45
ER11SET	P2506302	209,76
ER16SET	P2506303	166,50
ER20SET	P2506304	196,83
ER25SET	P2506305	251,43
ER32SET	P2506306	313,29
ER40SET	P2506307	434,61

Bezeichnung	EDP Nr.	Preis / €
RD20TC-6.0X4.9	P2772519D	40,47
RD20TC-8.0X6.2	P2772521D	40,47
RD20TC-10.0X8.0	P2772523D	40,47
RD25TC-4.5X3.4	P2772526D	42,36
RD25TC-5.5X4.3	P2772528D	42,36
RD25TC-6.0X4.9	P2772529D	42,36
RD25TC-8.0X6.2	P2772531D	42,36
RD25TC-9.0X7.0	P2772532D	42,36
RD25TC-10.0X8.0	P2772533D	42,36
RD25TC-11.0X9.0	P2772534D	42,36
RD25TC-12.0X9.0	P2772535D	42,36
RD32TC-3.5X2.7	P2772538D	45,18
RD32TC-4.0X3.0	P2772539D	45,18
RD32TC-4.5X3.4	P2772540D	45,18
RD32TC-5.0X4.0	P2772541D	45,18
RD32TC-5.5X4.3	P2772542D	45,18
RD32TC-6.0X4.9	P2772543D	45,18
RD32TC-7.0X5.5	P2772544D	45,18
RD32TC-8.0X6.2	P2772545D	45,18
RD32TC-9.0X7.0	P2772546D	45,18
RD32TC-10.0X8.0	P2772547D	45,18
RD32TC-11.0X9.0	P2772548D	45,18
RD32TC-12.0X9.0	P2772549D	45,18
RD32TC-14.0X11.0	P2772550D	45,18
RD32TC-16.0X12.0	P2772551D	45,18

ER SPANNZANGE HOHE PRÄZISION

GER

* T.I.R : ≤0.005mm bei 3D



Bezeichnung	EDP Nr.	Preis / €
GER16-4.0	P2772417	44,13
GER16-5.0	P2772418	44,13
GER16-7.0	P2772420	44,13
GER20-4.0	P2772428	47,04
GER20-5.0	P2772429	47,04
GER20-6.0	P2772430	47,04
GER20-7.0	P2772431	47,04
GER25-4.0	P2772443	47,04
GER25-5.0	P2772444	47,04
GER25-6.0	P2772445	47,04
GER25-7.0	P2772446	47,04
GER25-9.0	P2772448	47,04
GER25-10.0	P2772449	47,04
GER25-11.0	P2772450	47,04
GER25-12.0	P2772451	47,04
GER25-13.0	P2772452	47,04
GER25-14.0	P2772453	47,04
GER25-16.0	P2772455	47,04
GER32-10.0	P2772466	48,51
GER32-11.0	P2772467	48,51
GER32-12.0	P2772468	48,51
GER32-13.0	P2772469	48,51
GER32-15.0	P2772471	48,51

ER SPANNZANGENMUTTER

PART

DIN 6499/ISO 15488



■ SQ-ER (Standard)

Bezeichnung	EDP Nr.	Preis / €
SQ-ER16	P2700001	15,27
SQ-ER20	P2700002	16,44



■ SQ-ER (Standard : Rund)

Bezeichnung	EDP Nr.	Preis / €
SQ-ER25	P2700003	17,82
SQ-ER32	P2700004	20,79
SQ-ER40	P2700005	27,03

ER SPANNZANGENSCHLÜSSEL

SP



FIG. 1



FIG. 2

Bezeichnung	EDP Nr.	Preis / €
ER16SP	P2772602	6,96
ER20SP	P2772603	6,96
ER25SP	P2772604	6,96
ER32SP	P2772605	6,96
ER40SP	P2772606	7,86

► Design and shape could be changed without prior notice.

FLÄCHENSPIANNFUTTER ZYLINDERSCHAFT EMH
JIS B6339/MAS 403-BT


Typ	Bezeichnung	EDP Nr.	Preis / €
40	BT40AD/B-EMH10-63 G2.5	P2773033	44,94
	BT40AD/B-EMH12-63 G2.5	P2773034	44,94
	BT40AD/B-EMH16-63 G2.5	P2773036	46,89
	BT40AD/B-EMH20-63 G2.5	P2773038	46,89
	BT40AD/B-EMH25-90 G2.5	P2773039	54,27
	BT40AD/B-EMH32-100 G2.5	P2773040	58,38
	BT40AD/B-EMH6-50 G2.5	P2773031	51,33
	BT40AD/B-EMH8-50 G2.5	P2773032	47,16
50	BT50AD/B-EMH16-80 G2.5	P2773046	71,01
	BT50AD/B-EMH20-80 G2.5	P2773048	71,01
	BT50AD/B-EMH25-100 G2.5	P2773049	77,16
	BT50AD/B-EMH32-105 G2.5	P2773050	80,46

JIS B6339/MAS 403-BT


Typ	Bezeichnung	EDP Nr.	Preis / €
40	BT40-EMH10-63 G6.3	P2773063	38,34
	BT40-EMH12-63 G6.3	P2773064	38,34
	BT40-EMH20-63 G6.3	P2773068	40,05
	BT40-EMH25-90 G6.3	P2773069	46,32
	BT40-EMH32-100 G6.3	P2773070	49,80
	BT40-EMH6-50 G6.3	P2773061	44,01
	BT40-EMH8-50 G6.3	P2773062	40,23

► Für weitere Informationen schauen Sie in unseren Katalog YE-TH20

FLÄCHENSPIANNFUTTER ZYLINDERSCHAFT EMH
DIN 69893/ISO 12164-1-HSK FORM A


Typ	Bezeichnung	EDP Nr.	Preis / €
63A	HSK63A-EMH6-65 G2.5	P2775501	111,66
	HSK63A-EMH8-65 G2.5	P2775502	109,17
	HSK63A-EMH10-65 G2.5	P2775503	103,83
	HSK63A-EMH12-80 G2.5	P2775504	103,83
	HSK63A-EMH16-80 G2.5	P2775506	103,83
	HSK63A-EMH20-80 G2.5	P2775508	103,83
	HSK63A-EMH25-110 G2.5	P2775509	109,17
	HSK63A-EMH32-110 G2.5	P2775510	114,42

► Für weitere Informationen schauen Sie in unseren Katalog YE-TH20

DIN 69893/ISO 12164-1-HSK FORM A


Typ	Bezeichnung	EDP Nr.	Preis / €
63A	HSK63A-EMH6-65 G6.3	P2563001	94,53
	HSK63A-EMH8-65 G6.3	P2563002	92,40
	HSK63A-EMH10-65 G6.3	P2563003	87,90
	HSK63A-EMH12-80 G6.3	P2563004	87,90
	HSK63A-EMH20-80 G6.3	P2563008	87,90
	HSK63A-EMH25-110 G6.3	P2563009	92,40
	HSK63A-EMH32-110 G6.3	P2563010	96,87
100A	HSK100A-EMH32-100 G6.3	P2563050	121,62
	HSK100A-EMH40-120 G6.3	P2563051	126,81

► Für weitere Informationen schauen Sie in unseren Katalog YE-TH20

FLÄCHENSPANNFUTTER ZYLINDERSCHAFT EMH

DIN 69871-SK



Typ	Bezeichnung	EDP Nr.	Preis / €
40	SK40AD/B-EMH6-50 G2.5	P2779030	51,33
	SK40AD/B-EMH8-50 G2.5	P2779031	47,16
	SK40AD/B-EMH10-50 G2.5	P2779032	44,94
	SK40AD/B-EMH12-50 G2.5	P2779033	44,94
	SK40AD/B-EMH16-63 G2.5	P2779034	44,94
	SK40AD/B-EMH20-63 G2.5	P2779035	44,94
	SK40AD/B-EMH25-100 G2.5	P2779036	54,27
	SK40AD/B-EMH32-100 G2.5	P2779037	58,38
50	SK50AD/B-EMH6-63 G2.5	P2779038	74,52
	SK50AD/B-EMH8-63 G2.5	P2779039	69,36
	SK50AD/B-EMH10-63 G2.5	P2779040	69,36
	SK50AD/B-EMH12-63 G2.5	P2779041	69,36
	SK50AD/B-EMH16-63 G2.5	P2779042	69,36
	SK50AD/B-EMH20-63 G2.5	P2779043	69,36
	SK50AD/B-EMH25-80 G2.5	P2779044	75,54
	SK50AD/B-EMH32-100 G2.5	P2779045	80,46

► Für weitere Informationen schauen Sie in unseren Katalog YE-TH20

FLÄCHENSPANNFUTTER ZYLINDERSCHAFT EMH

DIN 69871-SK



Typ	Bezeichnung	EDP Nr.	Preis / €	
40	SK40AD/B-EMH6-50 G6.3	P2531009	47,61	
	SK40AD/B-EMH8-50 G6.3	P2531010	44,04	
	SK40AD/B-EMH10-50 G6.3	P2531011	39,75	
	SK40AD/B-EMH12-50 G6.3	P2531012	39,75	
	SK40AD/B-EMH16-63 G6.3	P2531013	39,75	
	SK40AD/B-EMH20-63 G6.3	P2531014	39,75	
	SK40AD/B-EMH25-100 G6.3	P2531015	50,16	
	SK40AD/B-EMH32-100 G6.3	P2531016	50,16	
	50	SK50AD/B-EMH10-63 G6.3	P2531019	66,81
		SK50AD/B-EMH12-63 G6.3	P2531020	66,81
SK50AD/B-EMH16-63 G6.3		P2531021	66,81	
SK50AD/B-EMH20-63 G6.3		P2531022	66,81	
SK50AD/B-EMH25-80 G6.3		P2531023	72,33	
SK50AD/B-EMH32-100 G6.3		P2531024	76,77	
SK50AD/B-EMH40-100 G6.3		P2531025	91,32	

► Für weitere Informationen schauen Sie in unseren Katalog YE-TH20

FLÄCHENSPELLFUTTER ZYLINDERSCHAFT EMH

DIN 69871-SK



Typ	Bezeichnung	EDP Nr.	Preis / €
40	SK40-EMH10-50 G6.3	P2521011	38,34
	SK40-EMH12-50 G6.3	P2521012	38,34
	SK40-EMH16-63 G6.3	P2521013	38,34
	SK40-EMH20-63 G6.3	P2521014	38,34
	SK40-EMH25-100 G6.3	P2521015	46,32
	SK40-EMH32-100 G6.3	P2521016	49,80
	SK40-EMH6-50 G6.3	P2521009	44,01
	SK40-EMH8-50 G6.3	P2521010	40,23

► Für weitere Informationen schauen Sie in unseren Katalog YE-TH20

FLÄCHENSPELLFUTTER ZYLINDERSCHAFT MIT KÜHLKANAL EMH

DIN 69893/ISO 12164-1-HSK FORM A



Typ	Bezeichnung	EDP Nr.	Preis / €
63A	HSK63A-EMH10C-65 G2.5	P2777203	113,19
	HSK63A-EMH12C-80 G2.5	P2777204	113,19
	HSK63A-EMH16C-80 G2.5	P2777205	113,19
	HSK63A-EMH20C-80 G2.5	P2777208	113,19
	HSK63A-EMH25C-110 G2.5	P2777209	118,98
	HSK63A-EMH32C-110 G2.5	P2777210	126,93
	HSK63A-EMH6C-65 G2.5	P2777201	121,71
	HSK63A-EMH8C-65 G2.5	P2777202	118,98

► Für weitere Informationen schauen Sie in unseren Katalog YE-TH20

DIN 69871-SK



Typ	Bezeichnung	EDP Nr.	Preis / €
50	SK50-EMH10-63 G6.3	P2521019	62,37
	SK50-EMH20-63 G6.3	P2521022	62,37
	SK50-EMH25-80 G6.3	P2521023	67,95
	SK50-EMH32-100 G6.3	P2521024	72,36

► Für weitere Informationen schauen Sie in unseren Katalog YE-TH20

DIN 69871-SK



Typ	Bezeichnung	EDP Nr.	Preis / €
40	SK40AD/B-EMH10C-50 G2.5	P2779050	49,80
	SK40AD/B-EMH10C-50 G6.3	P2779003	43,29
	SK40AD/B-EMH12C-50 G2.5	P2779051	49,80
	SK40AD/B-EMH16C-63 G2.5	P2779053	49,80
	SK40AD/B-EMH20C-63 G2.5	P2779055	49,80
	SK40AD/B-EMH25C-100 G2.5	P2779056	62,88
	SK40AD/B-EMH32C-100 G2.5	P2779057	62,88
	SK40AD/B-EMH32C-100 G6.3	P2779010	54,69
	SK40AD/B-EMH6C-50 G2.5	P2779048	59,67
	SK40AD/B-EMH8C-50 G2.5	P2779049	55,23
50	SK50AD/B-EMH10C-63 G2.5	P2779060	85,95
	SK50AD/B-EMH12C-63 G2.5	P2779061	85,95
	SK50AD/B-EMH16C-63 G2.5	P2779063	85,95
	SK50AD/B-EMH25C-80 G2.5	P2779066	93,27
	SK50AD/B-EMH6C-63 G2.5	P2779058	94,26
	SK50AD/B-EMH8C-63 G2.5	P2779059	89,22

► Für weitere Informationen schauen Sie in unseren Katalog YE-TH20

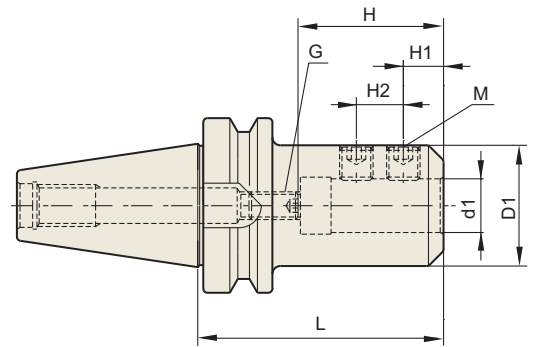
FLÄCHENSPIANNFUTTER ZYLINDERSCHAFT MIT AXIALVERSTELLUNG

SLA

JIS B6339/MAS 403-BT



Typ	Bezeichnung	EDP Nr.	Preis / €
40	BT40-SLA16-90 G6.3	P2776209	40,02



KRAFTSPANNFUTTER

C

DIN 69871-SK



Typ	Bezeichnung	EDP Nr.	Preis / €
40	SK40-C20-90	P2526003	187,98
	SK40-C32-105	P2526010	207,39
	SK40-C32-135	P2526015	292,92
	SK40-C32-90	P2526004	196,08
50	SK50-C20-80	P2526005	229,98
	SK50-C25-105	P2526012	232,02
	SK50-C32-105	P2526013	252,75
	SK50-C32-135	P2526018	281,01
	SK50-C32-165	P2526020	294,42
	SK50-C32-90	P2526007	260,61

CBT (BT DUAL CONTACT)



Typ	Bezeichnung	EDP Nr.	Preis / €
40	CBT40-SLA16-90 G2.5	P2772931	73,17
	CBT40-SLA20-90 G2.5	P2772901	73,17
	CBT40-SLA25-90 G2.5	P2772902	84,66
	CBT40-SLA32-90 G2.5	P2772903	91,05

KRAFTSPANNFUTTER

C

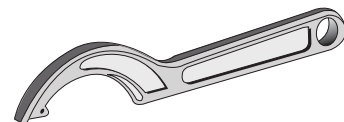
JIS B6339/MAS 403-BT



Typ	Bezeichnung	EDP Nr.	Preis / €
40	BT40-C20-105	P2546004	192,06
	BT40-C20-80	P2546003	187,98
	BT40-C32-90	P2546006	196,08

SPANNSCHLÜSSEL

SP



Bezeichnung	EDP Nr.	Preis / €
C20SP	P2773401	7,29
C25SP	P2773402	7,29
C32SP	P2600033	7,29

SPANNZANGE FÜR KRAFTSPANNFUTTER
K


Bezeichnung	EDP Nr.	Preis / €
K20-D06	P2506401	15,36
K20-D08	P2506402	15,36
K20-D10	P2506403	15,36
K20-D12	P2506404	15,36
K20-D16	P2506405	15,36
K25-D06	P2506601	15,36
K25-D08	P2506602	15,36
K25-D10	P2506603	15,36
K25-D12	P2506604	15,36
K25-D16	P2506605	15,36
K25-D20	P2506606	15,36
K32-D08	P2506412	15,36
K32-D10	P2506413	15,36
K32-D12	P2506414	15,36
K32-D16	P2506415	15,36
K32-D25	P2506417	15,36

KRAFTSPANNFUTTER SET
C


Typ	Bezeichnung	EDP Nr.	Preis / €
BT	SBT40-C32	P2546022	358,89
SK	SSK40-C32	P2773301	358,89
SK	SSK50-C32	P2773302	404,28

► KRAFTSPANNFUTTER Ø 6, 8, 10, 12, 16, 20, 25

QUERNUTAUFSTECKFRÄSDORN
SMA
JIS B6339/MAS 403-BT (with Coolant Exit Holes)


Typ	Bezeichnung	EDP Nr.	Preis / €
40	BT40AD/B-SMA16C-120 G6.3	P2801035C	91,68
	BT40AD/B-SMA16C-60 G6.3	P2801024C	66,21
	BT40AD/B-SMA22C-120 G6.3	P2801036C	92,55
	BT40AD/B-SMA22C-60 G6.3	P2801025C	66,75
	BT40AD/B-SMA27C-120 G6.3	P2801037C	95,16
	BT40AD/B-SMA27C-60 G6.3	P2801026C	68,46
	BT40AD/B-SMA32C-120 G6.3	P2801038C	110,52
	BT40AD/B-SMA32C-60 G6.3	P2801027C	70,11
	BT40AD/B-SMA40C-60 G6.3	P2801028C	87,33
	50	BT50AD/B-SMA16C-75 G6.3	P2801029C
BT50AD/B-SMA22C-75 G6.3		P2801030C	108,87
BT50AD/B-SMA27C-120 G6.3		P2801041C	134,79
BT50AD/B-SMA27C-75 G6.3		P2801031C	112,32
BT50AD/B-SMA32C-75 G6.3		P2801032C	117,45

JIS B6339/MAS 403-BT


Typ	Bezeichnung	EDP Nr.	Preis / €
40	BT40-SMA16-120 G6.3	P2778815	76,71
	BT40-SMA16-60 G6.3	P2778804	55,41
	BT40-SMA27-120 G6.3	P2778817	79,62
	BT40-SMA27-60 G6.3	P2778806	57,30
	BT40-SMA32-120 G6.3	P2778818	92,49
	BT40-SMA32-60 G6.3	P2778807	58,68
	BT40-SMA40-60 G6.3	P2778808	73,08
50	BT50-SMA16-75 G6.3	P2778809	98,70
	BT50-SMA22-75 G6.3	P2778810	98,70
	BT50-SMA27-120 G6.3	P2778821	117,21
	BT50-SMA27-75 G6.3	P2778811	99,96
	BT50-SMA32-75 G6.3	P2778812	106,59

QUERNUTAUFSTECKFRÄSDORN

SMA

CBT (BT DUAL CONTACT)



Typ	Bezeichnung	EDP Nr.	Preis / €
40	CBT40-SMA22-60 G2.5	P2778705	83,25
	CBT40-SMA27-60 G2.5	P2778706	85,41
	CBT40-SMA32-60 G2.5	P2778707	87,45

DIN 69893/ISO 12164-1-HSK FORM A (with Coolant Exit Holes)



Typ	Bezeichnung	EDP Nr.	Preis / €
63A	HSK63A-SMA16C-50 G6.3	P2566001C	123,72
	HSK63A-SMA22C-50 G6.3	P2566002C	126,27
	HSK63A-SMA27C-60 G6.3	P2566003C	132,21
	HSK63A-SMA32C-60 G6.3	P2566004C	138,21
	HSK63A-SMA40C-60 G6.3	P2566005C	151,05
100A	HSK100A-SMA22C-50 G6.3	P2566012C	163,86
	HSK100A-SMA27C-50 G6.3	P2566013C	170,37

AUFSTECKFRÄSDORN

SMA

DIN 69893/ISO 12164-1-HSK FORM A



Typ	Bezeichnung	EDP Nr.	Preis / €
63A	HSK63A-SMA16-50 G6.3	P2566001	103,53
	HSK63A-SMA22-50 G6.3	P2566002	105,66
	HSK63A-SMA27-60 G6.3	P2566003	110,64
	HSK63A-SMA32-60 G6.3	P2566004	115,65
	HSK63A-SMA40-60 G6.3	P2566005	126,39
100A	HSK100A-SMA22-50 G6.3	P2566012	137,13
	HSK100A-SMA27-50 G6.3	P2566013	142,56

DIN 69871-SK (with Coolant Exit Holes)



Typ	Bezeichnung	EDP Nr.	Preis / €	
40	SK40AD/B-SMA16C-120 G6.3	P2801015C	91,68	
	SK40AD/B-SMA16C-60 G6.3	P2801004C	66,21	
	SK40AD/B-SMA22C-120 G6.3	P2801016C	92,55	
	SK40AD/B-SMA22C-60 G6.3	P2801005C	66,75	
	SK40AD/B-SMA27C-120 G6.3	P2801017C	95,16	
	SK40AD/B-SMA27C-60 G6.3	P2801006C	68,46	
	SK40AD/B-SMA32C-120 G6.3	P2801018C	110,52	
	SK40AD/B-SMA32C-60 G6.3	P2801007C	72,30	
	SK40AD/B-SMA40C-60 G6.3	P2801008C	87,33	
	50	SK50AD/B-SMA16C-120 G6.3	P2801019C	128,97
		SK50AD/B-SMA16C-75 G6.3	P2801009C	107,49
		SK50AD/B-SMA22C-120 G6.3	P2801020C	130,65
		SK50AD/B-SMA22C-75 G6.3	P2801010C	108,87
		SK50AD/B-SMA27C-120 G6.3	P2801021C	134,79
SK50AD/B-SMA27C-75 G6.3		P2801011C	112,32	
SK50AD/B-SMA32C-120 G6.3		P2801022C	137,43	
SK50AD/B-SMA32C-75 G6.3		P2801012C	117,45	
SK50AD/B-SMA40C-75 G6.3		P2801013C	131,31	
SK50AD/B-SMA50C-75 G6.3		P2801014C	164,34	

QUERNUTAUFSTECKFRÄSDORN
SMA
DIN 69871-SK


Typ	Bezeichnung	EDP Nr.	Preis / €
40	SK40-SMA16-120 G6.3	P2778915	76,71
	SK40-SMA16-60 G6.3	P2778904	55,41
	SK40-SMA22-120 G6.3	P2778916	77,46
	SK40-SMA22-60 G6.3	P2778905	55,86
	SK40-SMA27-120 G6.3	P2778917	79,62
	SK40-SMA27-60 G6.3	P2778906	57,30
	SK40-SMA32-120 G6.3	P2778918	92,49
	SK40-SMA32-60 G6.3	P2778907	60,51
	SK40-SMA40-60 G6.3	P2778908	73,08
50	SK50-SMA16-120 G6.3	P2778919	122,07
	SK50-SMA16-75 G6.3	P2778909	98,70
	SK50-SMA22-120 G6.3	P2778920	122,07
	SK50-SMA22-75 G6.3	P2778910	98,70
	SK50-SMA27-120 G6.3	P2778921	125,04
	SK50-SMA27-75 G6.3	P2778911	99,96
	SK50-SMA32-120 G6.3	P2778922	137,01
	SK50-SMA32-75 G6.3	P2778912	106,59
	SK50-SMA40-75 G6.3	P2778913	123,06
SK50-SMA50-75 G6.3	P2778914	155,13	

KOMBI-AUFSTECKFRÄSDORN
CMA
DIN 69871-SK


Typ	Bezeichnung	EDP Nr.	Preis / €
40	SK40-CMA16-55 G6.3	P2524004	55,32
	SK40-CMA22-100 G6.3	P2524016	63,39
	SK40-CMA22-55 G6.3	P2524005	55,32

SYNCHRO GEWINDESCHNEIDFUTTER (ER) SYTER
JIS B6339/MAS 403-BT


Typ	Bezeichnung	EDP Nr.	Preis / €
40	BT40AD/B-SYTER12-79	P2776301	274,86
	BT40AD/B-SYTER16-85	P2776302	279,78
	BT40AD/B-SYTER20-90	P2776303	282,75
	BT40AD/B-SYTER27-100	P2776304	320,01

- Feature :
- To compensate for synchronization errors to extend tap life and to improve thread quality
 - To compensate for pitch tolerances of taps
 - For machine with synchronized spindle

KOMBI-AUFSTECKFRÄSDORN
CMA
JIS B6339/MAS 403-BT


Typ	Bezeichnung	EDP Nr.	Preis / €
40	BT40-CMA16-55 G6.3	P2544004	55,32
	BT40-CMA22-55 G6.3	P2544005	55,32
	BT40-CMA27-55 G6.3	P2544006	61,32
	BT40-CMA32-60 G6.3	P2544007	67,11

SYNCHRO GEWINDESCHNEIDFUTTER (ER) SYTER

DIN 69893/ISO 12164-1-HSK FORM A



Typ	Bezeichnung	EDP Nr.	Preis / €
63A	HSK63A-SYTER16-90	P2773801	313,59
	HSK63A-SYTER20-94	P2773802	316,65
	HSK63A-SYTER27-105	P2773803	324,12

SYNCHRO GEWINDESCHNEID-SCHNELLWECHSELFUTTER

SYTC

DIN 69871-SK



Typ	Bezeichnung	EDP Nr.	Preis / €
40	SK40-SYTC12-65	P2774201	216,93

STRAIGHT-K



Bezeichnung	EDP Nr.	Preis / €
K20-SYTER16	P2773901	228,60
K25-SYTER16	P2773902	232,41
K25-SYTER27	P2773903	274,89

GEWINDESCHNEID-SCHNELLWECHSELFUTTER

TC

DIN 69893/ISO 12164-1-HSK FORM A



Typ	Bezeichnung	EDP Nr.	Preis / €
63A	HSK63A-TC12-120	P2774501	344,46
	HSK63A-TC24-142	P2774502	406,59
100A	HSK100A-TC24-142	P2774504	517,05

DIN 69871-SK



Typ	Bezeichnung	EDP Nr.	Preis / €
40	SK40AD/B-SYTER12-79	P2773701	274,86
	SK40AD/B-SYTER16-85	P2773702	279,78
	SK40AD/B-SYTER20-90	P2773703	282,75
	SK40AD/B-SYTER27-100	P2773704	320,01
	SK40AD/B-SYTER33-120	P2773705	345,87

DIN 69893/ISO 12164-1-HSK FORM A



Typ	Bezeichnung	EDP Nr.	Preis / €
63A	HSK63A-TC12-120	P2774501	344,46
	HSK63A-TC24-142	P2774502	406,59
100A	HSK100A-TC24-142	P2774504	517,05

GEWINDESCHNEID-SCHNELLWECHSELFUTTER
TC
DIN 69871-SK


Typ	Bezeichnung	EDP Nr.	Preis / €
40	SK40-TC12-90	P2520001	200,40
	SK40-TC24-120	P2520002	226,56
	SK50-TC12-130	P2520003	234,84

ER - GEWINDESCHNEIDFUTTER
TER
DIN 69871-SK


Typ	Bezeichnung	EDP Nr.	Preis / €
40	SK40-TER16-100	P2774001	192,42
	SK40-TER32-130	P2774003	219,42

NC - BOHRFUTTER
NPU


Typ	Bezeichnung	EDP Nr.	Preis / €
32	K32-NPU13-100	P2775252	194,28

GEWINDESCHNEID-SCHNELLWECHSELFUTTER
TC
Below standard Tap Adapter conforms to DIN


Typ	Bezeichnung	EDP Nr.	Preis / €
TCS12D	TCS12 D-108	P2774610	78,36
	TCS12 D-3527	P2774602	78,36
	TCS12 D-4534	P2774603	78,36
	TCS12 D-649	P2774606	78,36
	TCS12 D-755	P2774607	78,36
	TCS12 D-862	P2774608	78,36
	TCS12 D-97	P2774609	78,36
TCS24D	TCS24 D-108	P2774616	117,21
	TCS24 D-119	P2774617	117,21
	TCS24 D-129	P2774618	117,21
	TCS24 D-1411	P2774619	117,21
	TCS24 D-1612	P2774620	117,21
	TCS24 D-18145	P2774621	117,21
	TCS24 D-649	P2774612	117,21
TCS38D	TCS24 D-755	P2774613	117,21
	TCS24 D-862	P2774614	117,21
	TCS24 D-97	P2774615	117,21
	TCS38 D-1612	P2774625	212,31
	TCS38 D-18145	P2774626	212,31
	TCS38 D-2016	P2774627	212,31
	TCS38 D-2218	P2774628	212,31
TCS38 D-2822	P2774630	212,31	

ZWISCHENHÜLSEN MKAUSTREIBLAPPEN

MTA

JIS B6339/MAS 403-BT



Typ	Bezeichnung	EDP Nr.	Preis / €
40	BT40-MTA1-45 G6.3	P2542005	44,94
	BT40-MTA2-60 G6.3	P2542013	43,71

DIN 69893/ISO 12164-1-HSK FORM A



Typ	Bezeichnung	EDP Nr.	Preis / €
100A	HSK100A-MTA1-110 G6.3	P2565011	112,17

DIN 69871-SK



Typ	Bezeichnung	EDP Nr.	Preis / €
40	SK40-MTA2-50 G6.3	P2522005	43,71
	SK40-MTA3-70 G6.3	P2522006	45,42
50	SK50-MTA3-65 G6.3	P2522010	67,56
	SK50-MTA4-95 G6.3	P2522011	67,14

ANZUGSBOLZEN

PSB



Bezeichnung	EDP Nr.	Preis / €
PS-0	P2506706	14,97
PS-1	P2775051	10,83
PS-1H	P2506701	11,91
PS-2	P2775052	10,83
PS-2H	P2506702	11,91
PS-5	P2775053	14,97
PS-5H	P2506704	16,47
PS-6	P2775054	14,97
PSS-1H	P2775096	11,91
PSS-5	P2506708	16,26
PSS-5H	P2775086	17,88
PSS-1	P2506707	10,83

KÜHLMITTELÜBERGABEROHR

CT



Typ	EDP Nr.	Preis / €
100A	P2542005	44,94
63A	P2542013	43,71

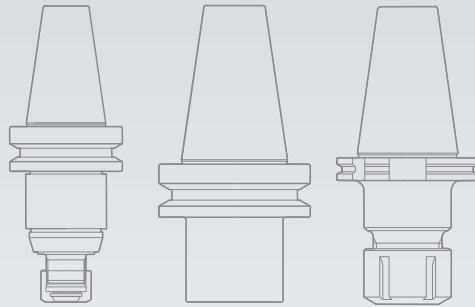
MEMO



A large grid of small squares, typical of graph paper, covering the majority of the page. The grid is composed of light grey lines on a white background.



Global Cutting Tool Leader **YG-1**



WERKZEUGAUFNAHMEN

YG-1 CO., LTD.

HAUPTVERWALTUNG

211, Sewolcheon-ro, Bupyeong-gu, Incheon, Südkorea

Telefon: +82-32-526-0909

<http://www.yg1.kr> E-mail: yg1@yg1.kr

Vertrieb

YG-1 DEUTSCHLAND GMBH

Rudolf-Diesel-Straße 12b, D-65760 Eschborn

Telefon: +49-6173-9667-0

<http://www.yg-1.de>

E-mail: info@yg-1.de

Kompetenzzentrum

YG-1 TECHNOLOGY CENTER GMBH

Kappellenweg 23/1, D-73447 Oberkochen

Telefon: +49-7364-95597-0

<http://www.yg1-techcenter.de>

E-mail: info@yg1-techcenter.de

Hinweis

Die Informationen dienen nur als Referenz. Werkzeugspezifikationen können ohne vorherige Ankündigung geändert werden.

Obwohl wir uns bemühen, genaue und zeitnahe Informationen zu liefern, kann nicht garantiert werden, dass jede einzelne

Anwendung abgedeckt wird. YG-1 oder der Herausgeber haften nicht für Schäden, die durch die Verwendung der Informationen entstehen.



Suche nach 'YG-1' auf Social Media Kanälen

YG1YDBT200224001